

## 产品规格承认书 SPECIFICATION

文件编号 File No.: UME-EG-SP24040201/A1

客户 Customer	AKON	核准 Approval	ZL
品名 Product	开关电源 Switching power supply	品管确认 QC	LTF
型号 Model	AD-K120P500	审核 Check	ZL
日期 Date	2024-04-02	拟制 Execution	BMD

客户承认意见 Confirmation by Customer	客户签署 Stamp & Signature
<input type="checkbox"/> 合格 Accept	
<input type="checkbox"/> 不合格 Reject	
<input type="checkbox"/> 条件合格 Conditional Acceptance	

确认签署后，请回传一份。有任何问题，请尽快告知我们。

Please return one copy to us with your signature and feel free to contact us for any questions.

厦门友盟电子有限公司

XIAMEN UME ELECTRONICS CO., LTD.

电话 Tel:0592-2611448

地址：厦门市翔安区莲亭路火炬八方工业园10号楼882-7号8楼

Add: 8th Floor, No. 882-7, Lianting Road, Xiamen Torch Hi-Tech Zone (Xiangan) Industrial Zone

<b>产品规格承认书</b> <b>SPECIFICATION</b>				文件编号 File No.	UME-EG-SP24040201/A1
品名 Product	开关电源 SPS	型号 Model	AD-K120P500	日期 Date	2024-04-02

目录 INDEX

1	变更履历 Revision History.....	1-3
2	概述 Summary .....	2-4
3	技术要求 Technical requirements.....	3-4
	3.1安全标准 Safety Standards .....	3-4
	3.2Input.....	3-4
	3.3Output .....	3-4
	3.3可靠性及质量控制 Reliability and Quality Control .....	3-5
	3.4测试线路图 Test Circuit .....	3-9
4	线路图 Schematic Diagram .....	4-9
5	电路板图 P.C.B.....	5-10
6	CORD 图（单位 unit: mm 颜色 color: Black） .....	6-11
7	AC CORD 图 .....	7-12
8	外观示意图 Cord and Mechanical Drawing（单位 unit: mm 颜色 color: Black） .....	8-13
9	铭板标识 Label.....	9-14
10	包装方式 Packaging .....	9-14
11	材料清单 BOM.....	10-14

**\* The products limited warranty period is 18 months.  
(From date code of product.)**

**● The products meet RoHS requirements.**

批准 Approval:	ZL	审核 Check:	ZL	制表 Execution:	BMD
--------------	----	-----------	----	---------------	-----

产品规格承认书 SPECIFICATION				文件编号 File No.	UME-EG-SP24040201/A1
品名 Product	开关电源 SPS	型号 Model	AD-K120P500	日期 Date	2024-04-02

**1 变更履历 Revision History**

版本 REV	变更日期 Date	变更内容 Content of Change	制表 Execution	审核 Check	批准 Approval
V1.0	2024-04-02	1. First Issue	BMD	ZL	ZL

第 1-3 页 Page 1-3 共 14 页 Total 14 Page

批准 Approval:	ZL	审核 Check:	ZL	制表 Execution:	BMD
--------------	----	-----------	----	---------------	-----

<b>产品规格承认书</b> <b>SPECIFICATION</b>				文件编号 File No.	UME-EG-SP24040201/A1
品名 Product	开关电源 SPS	型号 Model	AD-K120P500	日期 Date	2024-04-02

## 2 概述 Summary

2.1 本文件包含一般的客户要求及电气、机构和安全性能等方面的描述。

This document contains general customer requirements and those of specific electrical, mechanical and safety for this product.

## 3 技术要求 Technical requirements

### 3.1 安全标准 Safety Standards

Japan: 电安法别表第八【JET6108-61010-1009】

### 3.2 Input

Rated Input Voltage	100-240Vac
Operating Range	90-264Vac
Rated Input Frequency	50~60Hz
Rated Input Current	1.2A
Maximum Input Power	75W
Input Power (No Load)	0.21W Max
Primary Current Protection	Current fuse
AC Blade	PSE type AC Blade
AC Cable	<PS>E 2*0.75mm <sup>2</sup> VCTFK L = 1800mm, Black, Lead-free soldering

### 3.3 Output

Rated output voltage	12V ± 5%
Rated Load Current	5000mA
Over Current Protection	110%-150% @ Vin=90Vac-264Vac
Line Regulation	The line regulation is less than ±2% while measuring at rated load and +/-5% of input voltage changing.
Ripple	≅ 200mVp-p
Switching Efficiency	88% minimum @ input 115AC/230VAC to meet DOE6
DC Plug	Φ2.1*5.5*9.5(EIAJ)
DC Cord	18AWG UL2464 L = 1500mm, Black Lead-free soldering

批准 Approval:	ZL	审核 Check:	ZL	制表 Execution:	BMD
--------------	----	-----------	----	---------------	-----

<b>产品规格承认书</b> <b>SPECIFICATION</b>				文件编号 File No.	UME-EG-SP24040201/A1
品名 Product	开关电源 SPS	型号 Model	AD-K120P500	日期 Date	2024-04-02

**3.4 可靠性及质量控制 Reliability and Quality Control**
**【Electrical Test Items】**

Item	Conditions	Criteria
1	Leakage Current Measure the leakage current between Primary and Secondary when adding rated input. AC input = Rating voltage (100/240V)	Less than 250 $\mu$ A
2	ESD Test 1. Test is conducted at room temperature/humidity.(25°C, RH 50-60%) 2. Test set is 150pF/150 $\Omega$ . 3.(1) $\pm$ 4KV:Contact discharge test. +phase: 3times, -phase: 3times, total: 6times. (2) $\pm$ 8KV:Air discharge test. +phase : 3times, -phase: 3times, total: 6times. (Note) After each ESD test, it should be discharged.	No malfunction (must be in spec after test).
	1. Test is conducted at room temperature/humidity.(25°C, RH 50-60%) 2. Test set is 150pF/150 $\Omega$ . 3.(1) $\pm$ 6KV:Contact discharge test. + phase: 3times, -phase: 3times total: 6times. (2) $\pm$ 10KV:Air discharge test. + phase: 3times, -phase: 3times, total: 6times. (Note)After each ESD test, it should be discharged.	No destruction
ESD Test (Ability test)	1. Test is conducted at room temperature/humidity.(25°C, RH 50-60%) 2. Test condition: 150pF/150 $\Omega$ . 3, Contact discharge / Air discharge 4, Load: 1)no load 2)rated load 5. Impressing 10 times continuously to plus and minus each. 6, Discharging once after impressing 10 times (To confirm the capacity of unit up to the unit destroyed)	It confirms at which voltage value the adapter breaks.(Note: Not part of qualification)
3	Hi-POT test Condition=AC3000V, 1min. Test place=Between AC blade and DC plug Sensitivity current=10mA	No malfunction. (damage, arc, breakdown etc)
4	Insulation resistance DC500V, 1min. Between AC blade and DC plug	More than 100M $\Omega$
5	Temperature Rise Test 1. Apply rating input voltage(100/240V), 2. Load: Charge actual Cellular phone 3. Measure the surface temperature of the adaptor 4. T ambient = The room temperature 5. Condition: Until it carries out temperature saturation (the definition of temperature than 1°C in 1 hour). 1. Apply rating input voltage(100/240V),	Housing surface Temperature rise is less than 45K.
		Housing surface Temperature rise is less than 15K.

批准 Approval:	ZL	审核 Check:	ZL	制表 Execution:	BMD
--------------	----	-----------	----	---------------	-----

<b>产品规格承认书</b> <b>SPECIFICATION</b>				文件编号 File No.	UME-EG-SP24040201/A1
品名 Product	开关电源 SPS	型号 Model	AD-K120P500	日期 Date	2024-04-02

		2.No Load 3.Measure the surface temperature of the adaptor	
6	Input over / under	Apply voltage=(rating input voltage)x(1±30%) Impressed time : 24h	No destruction
7	EMI/Conducted Emission	Telephone stand by mode with rapid-charge condition	Conform to: FCC 47CFR Part 15 Class B J55014-1
8	Surge	IEC61000-4-5 1.2×50µs 1.0KV Positive and negative all three times, Current limiting impedance 100 Ω, Time interval 30 seconds min.	No destruction.

**【Environmental Test Items】**

Item	Conditions	Criteria
1 Temperature range	Electrical performance guarantees temperature range: 0°C to 40°C Electrical performance not guarantees working temperature range: -20°C to 50°C Storage temperature range: -30°C to 80°C	No abnormal appearance, mechanic performance or electric performance
2 High Temperature Leave	1. Temperature 80°C for 96 hours. 2. After that test, test set is left in normal temperature, humidity condition for more than 1hour, then evaluate.	No abnormal appearance, mechanic performance or electric performance
3 Low Temperature Leave	1. Temperature -30°C for 96 hours. 2. After that test, test set is left in normal temperature, humidity condition more than 1(hour), then evaluate.	
4 High Temperature Humidity	1. Temperature 50°C, air moisture 90-95% RH for 96 hours. 2. After that test, test set is left in normal temperature, humidity condition more than 30min, then evaluate.	
5 Temperature Humidity test	1. Temperature 40°C, air moisture 90-95% RH for 96 hours. 2. After that test, test set is left in normal temperature, humidity condition more than 30min, then evaluate.	
6 Heat Shock Test	1. Condition: -30°C/ 1 hour to +80°C/ 1 hour, 60 cycles 2. After that test, test set is left in normal temperature, humidity condition more than 1 hour, then evaluate.	
7 Heat/humidity Cycle Test	A, C, D : RH=90 ± 10% B : RH= 90 ± 5% E : No limit After 5cycles, put EUT at room temperature/humidity condition	

批准 Approval:	ZL	审核 Check:	ZL	制表 Execution:	BMD
--------------	----	-----------	----	---------------	-----

<b>产品规格承认书</b> <b>SPECIFICATION</b>				文件编号 File No.	UME-EG-SP24040201/A1
品名 Product	开关电源 SPS	型号 Model	AD-K120P500	日期 Date	2024-04-02

8	Humidity	Operation is 10~85%. Storages is 5~95%	Non-condensing

**【Mechanical Test Items】**

Item	Conditions	Criteria
1	Drop Test	No parts remove, no abnormal mechanic performance, (outside scratches are acceptable)
2	Package Drop Test	
3	Unit Vibration Test	
4	Package Vibration	
5	AC Plug in/out Test (AC Blade part)	
6	Exfoliate with cellophane tape and examine it	A character do not disappear. Don't take the label off the main body
7	The reliability to face each other to come off the label	
8	No tally part step	less than 0.25mm after an environmental examination

批准 Approval:	ZL	审核 Check:	ZL	制表 Execution:	BMD
--------------	----	-----------	----	---------------	-----

<b>产品规格承认书</b> <b>SPECIFICATION</b>				文件编号 File No.	UME-EG-SP24040201/A1
品名 Product	开关电源 SPS	型号 Model	AD-K120P500	日期 Date	2024-04-02

### 【DC cord Test Items】

Item		Conditions	Criteria
1	DC Cord strength (adaptor side / plug side)	1. Test part: Between adaptor and DC cord 2. Pull a cord with 49N(5Kgf) force 3. Time: 1min.	No abnormality such as wire cut, bushing come off
2	DC Cord Bending Test (adaptor side / plug side)	Weight = 4.9N(500g) Angle = +/-90° Cycles in every minute = 40times/min. Test cycles = 1000times Note: contrarotate 90°, and then rotate it clockwise with 180°(+90° ~-90°) , and at last return to origin. ( 1 Cycle : 0° =>-90° =>0° =>+90° =>0°)	Operate properly.

### 【Safety Test Items】

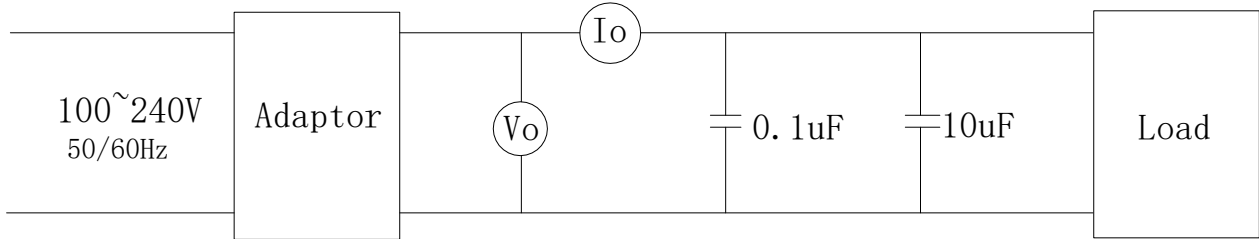
1	MTBF	Make a measurement condition, a calculation standard clear	More than 50,000 hours
2	Part materials	It is maintenance or the incombustibility of contact / part materials approaching it in an outer fence, the charge department of the electric part	same as UL94V-0; more than it
3	print board	Incombustibility	same as UL94V-0; more than it
4	No tally part step	Difference of the pitch by height differences of the tally part between casts	less than 0.25mm after an environmental examination

批准 Approval:	ZL	审核 Check:	ZL	制表 Execution:	BMD
--------------	----	-----------	----	---------------	-----

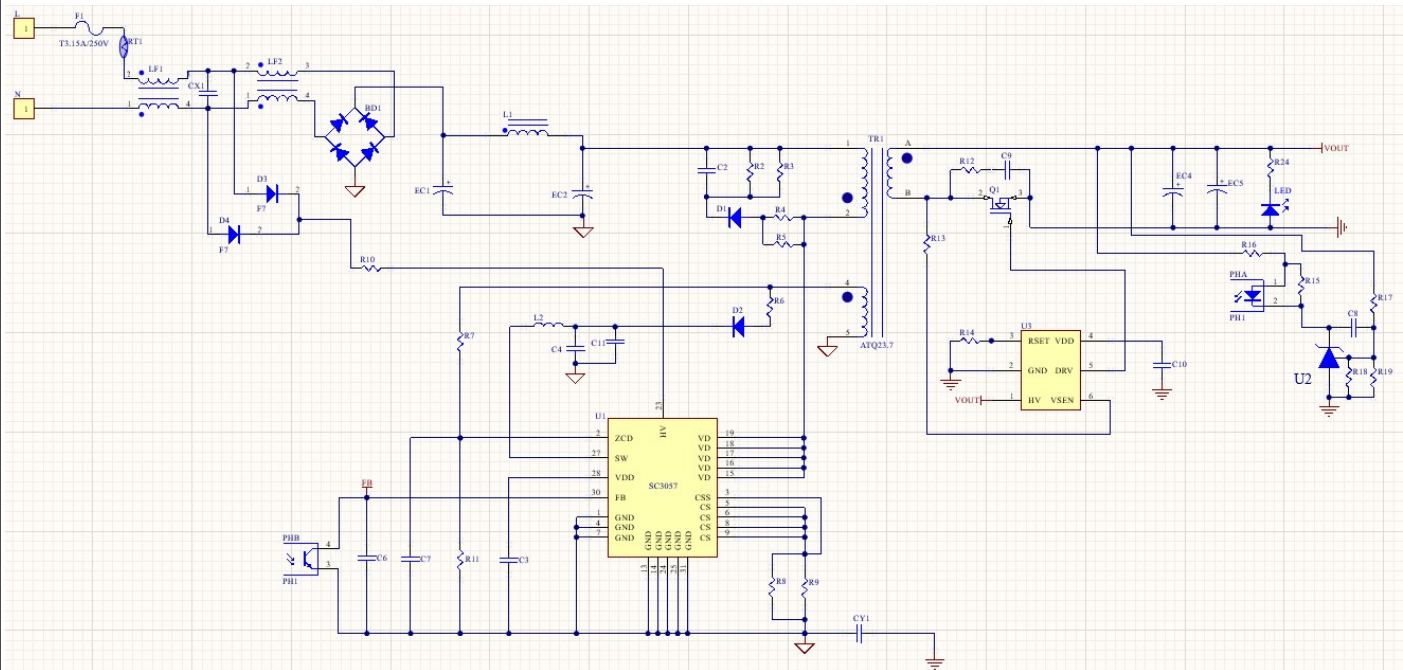


<b>产品规格承认书</b> SPECIFICATION				文件编号 File No.	UME-EG-SP24040201/A1
品名 Product	开关电源 SPS	型号 Model	AD-K120P500	日期 Date	2024-04-02

3.5 测试线路图 Test Circuit



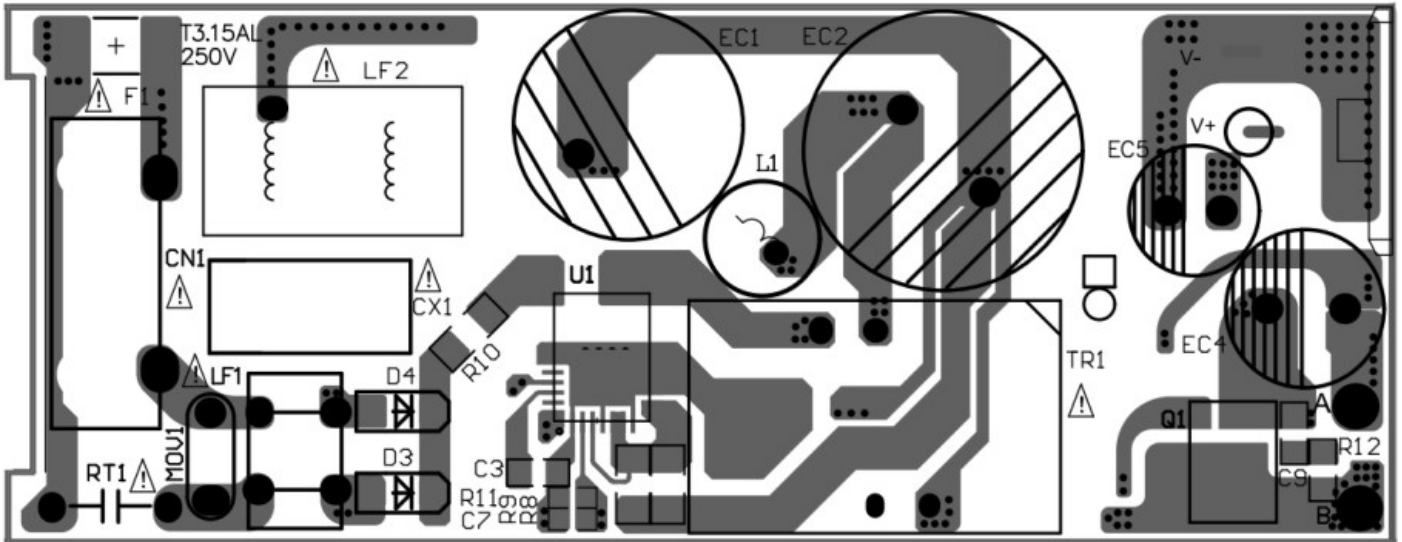
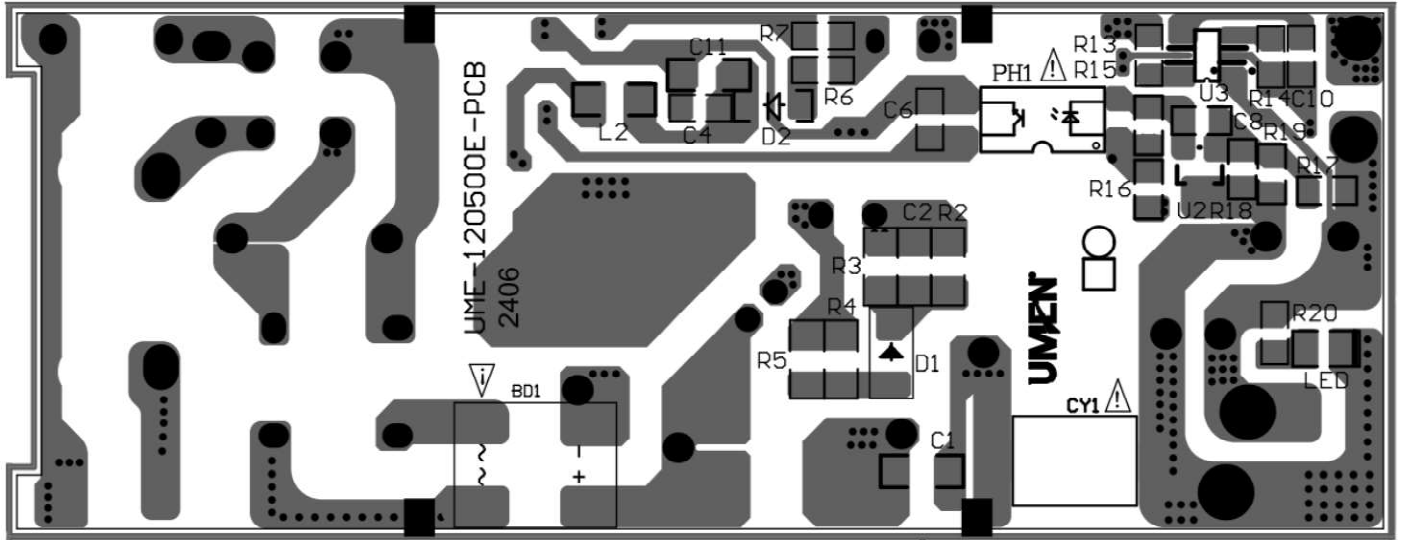
4 线路图 Schematic Diagram



批准 Approval:	ZL	审核 Check:	ZL	制表 Execution:	BMD
--------------	----	-----------	----	---------------	-----

<b>产品规格承认书</b> SPECIFICATION				文件编号 File No.	UME-EG-SP24040201/A1
品名 Product	开关电源 SPS	型号 Model	AD-K120P500	日期 Date	2024-04-02

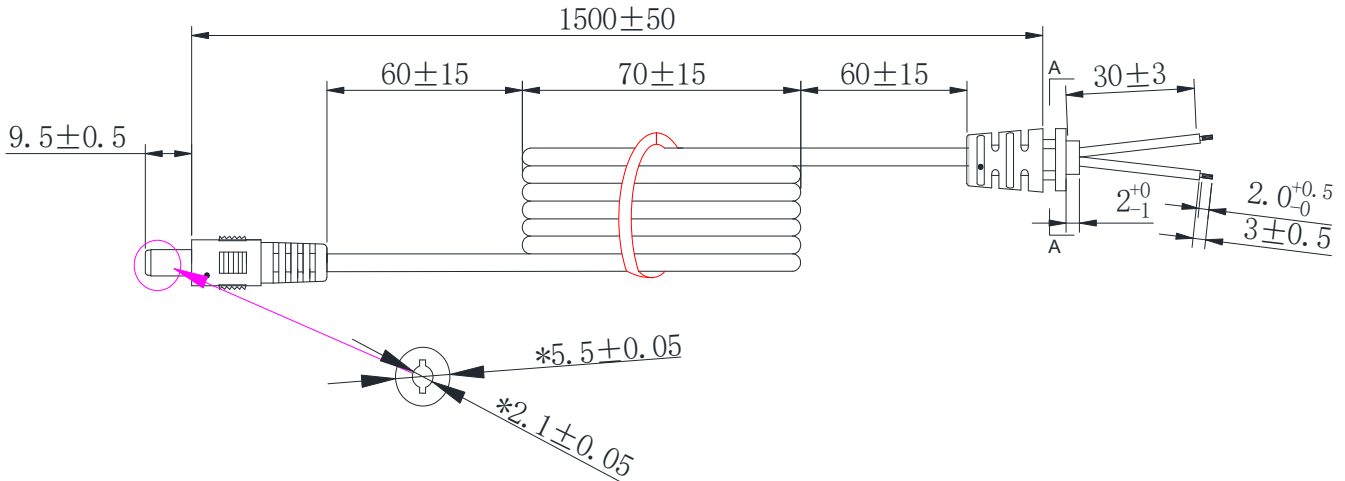
## 5 电路板图 P.C.B



批准 Approval:	ZL	审核 Check:	ZL	制表 Execution:	BMD
--------------	----	-----------	----	---------------	-----

<b>产品规格承认书</b> <b>SPECIFICATION</b>				文件编号 File No.	UME-EG-SP24040201/A1
品名 Product	开关电源 SPS	型号 Model	AD-K120P500	日期 Date	2024-04-02

## 6 CORD 图 (单位 unit: mm 颜色 color: Black)



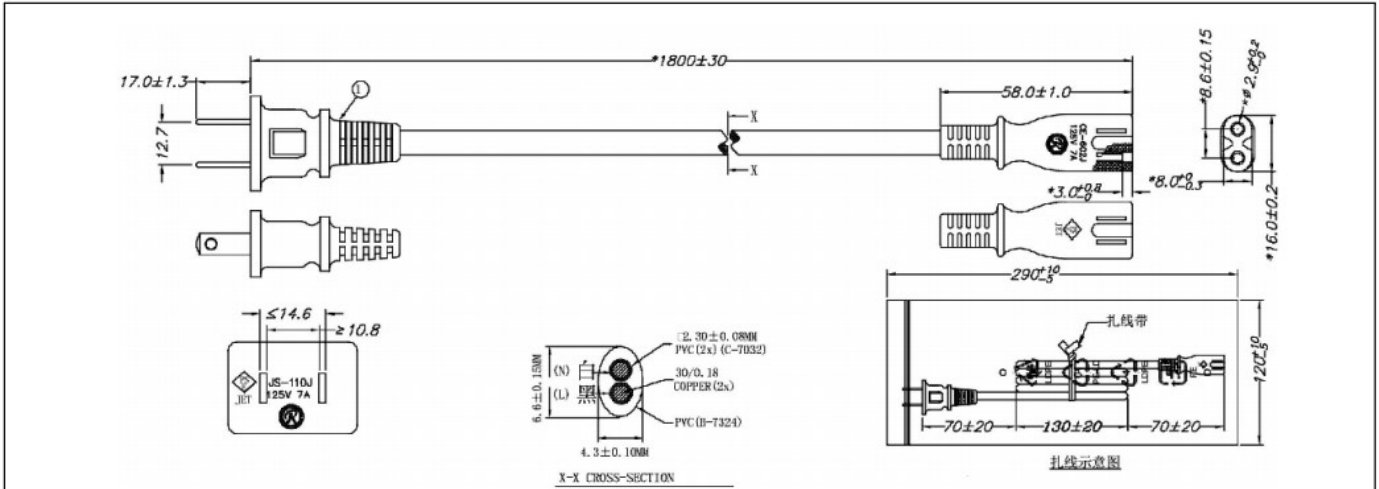
### 备注:

1. 导线规格: 18AWG 2464 音叉型 黑色, 芯线颜色: 红色+黑色, 导线总长 1500mm; 材质符合RoHS要求。导线按图示尺寸捆扎、测试, 导线间应开路, 对应线头线尾应短路导通, 极性连接正确;
2. 两头剥线焊锡, 剥线长度 $3\text{mm}+1/-0$ 。剥线要求如图所示, 剥丝线焊锡的直径为 $1.5\text{mm MAX}$ 。接线方式: 红色芯线接PIN中心, 黑色芯线接外侧, PG头成型, SR-002成型; SR002尺寸为 $6.8*7.8\text{mm}$ 。
3. SR拉力测试: 吊重 $1\text{Kg}/10$ 分钟, 不可有位移, 吊重 $5\text{Kg}/1$ 分钟, 位移 $2\text{mm MAX}$
4. 插拔力测试: 插入力 $2\text{Kgf MAX}$ , 拔出力 $0.3\text{Kgf MIN}$ ; 插拔 $6000\text{MIN}$ 次不允许有电气和机械性能的损坏, 且满足拔出力 $0.1\text{Kgf MIN}$ ;
5. 摇摆测试: 吊重 $500\text{g}$ , 以 $40\text{次/分}$ 作 $90^\circ$ 往返, 每一往返为一次, 至少 $1000\text{次}$ ;
6. PLUG绝缘阻抗测试:  $100\text{M}\Omega\text{ MIN}$ 在 $500\text{DC/分}$ ; PLUG接触阻抗测试:  $100\text{m}\Omega\text{ MAX}$ ;
7. 导线, SR, PLUG非移行性依据厂内一般进行; 禁止使用VDE所禁用的物质。
8. 打\*号尺寸, 为入料检查项目;

批准 Approval:	ZL	审核 Check:	ZL	制表 Execution:	BMD
--------------	----	-----------	----	---------------	-----

产品规格承认书 SPECIFICATION				文件编号 File No.	UME-EG-SP24040201/A1
品名 Product	开关电源 SPS	型号 Model	AD-K120P500	日期 Date	2024-04-02

7 AC CORD 图



备注:

- 1、线材规格: VCTFK 0.75/2C BLK L:1800mm
- 2、导线按图示尺寸捆扎、测试。导线间应开路, 对应线头线尾应短路导通。
- 3、摇摆测试: 吊重500g, 以40次/分作60°往返, 每一往返为一次, 至少2000次。
- 4、插头、线及接口符合PSE(日本)标准。
- 5、材质符合“RoHS”要求。
- 6、测试参数: 内高压3KV, 时间1S, 外高压4KV, 时间为2S, 绝缘 5MΩmin, 时间1S 漏电流0.5mA。
- 7、头部: JS-110J 尾部: CE-602J
- 8、插拔力: 10N-50N
- 9、印字内容: R31945 RoHS <PS>E JET VCTFK 2\*0.75mm<sup>2</sup> (30/0.18mm) 300V  
 FUND RESOURCES ELECTRIC INDUSTRY CO., LTD SHANGHANG YEAR

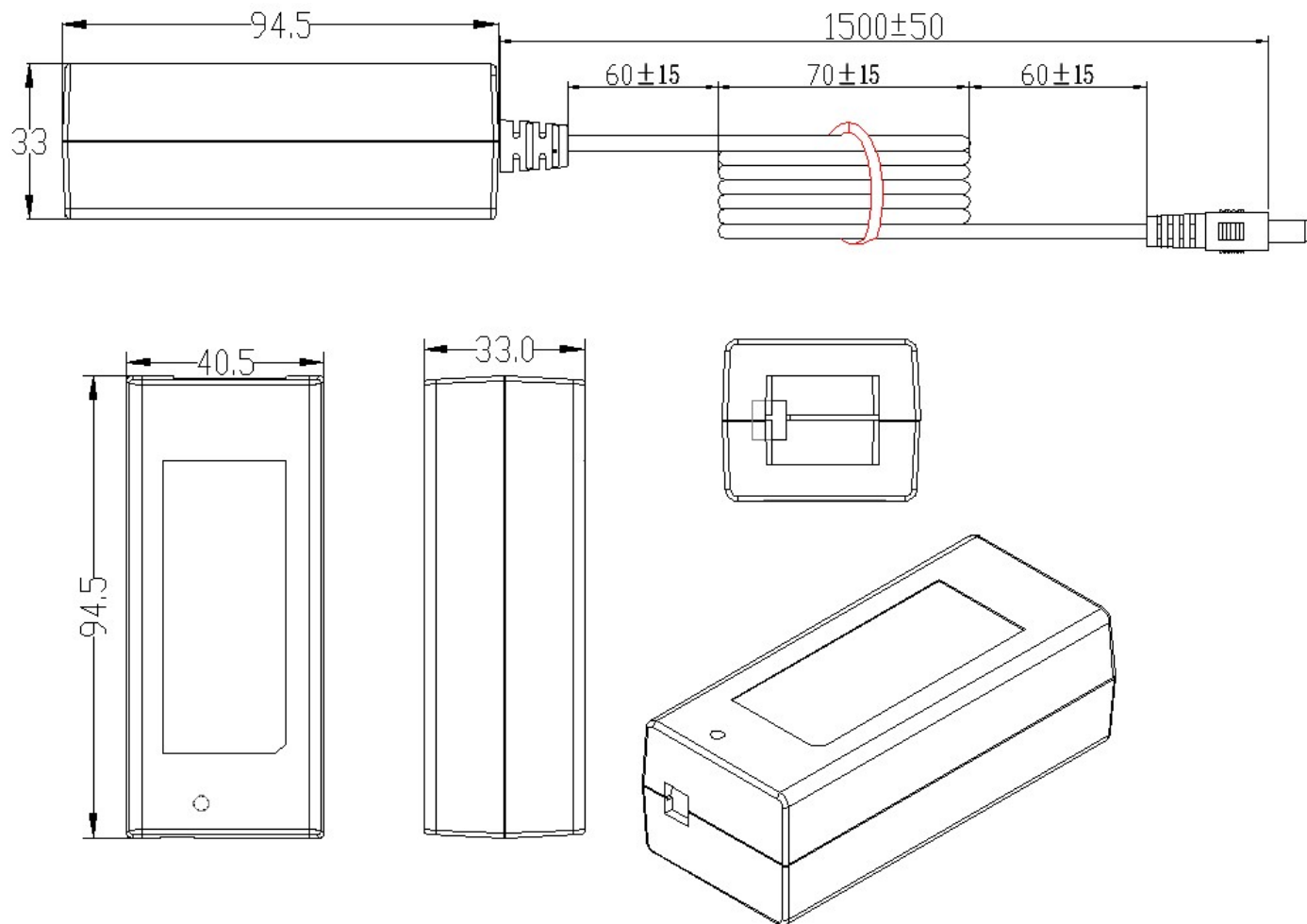
厦门友盟电子有限公司

版次	变更内容	制图	审核	批准	单位	mm	图称	输入电源线	
		白美端			比例		图号	CORD-120500M	版本
			日期	2021-9-25	产品型号	LJDY0120017	1.0		
						SW-120500T9			

批准 Approval:	ZL	审核 Check:	ZL	制表 Execution:	BMD
--------------	----	-----------	----	---------------	-----

产品规格承认书 SPECIFICATION				文件编号 File No.	UME-EG-SP24040201/A1
品名 Product	开关电源 SPS	型号 Model	AD-K120P500	日期 Date	2024-04-02

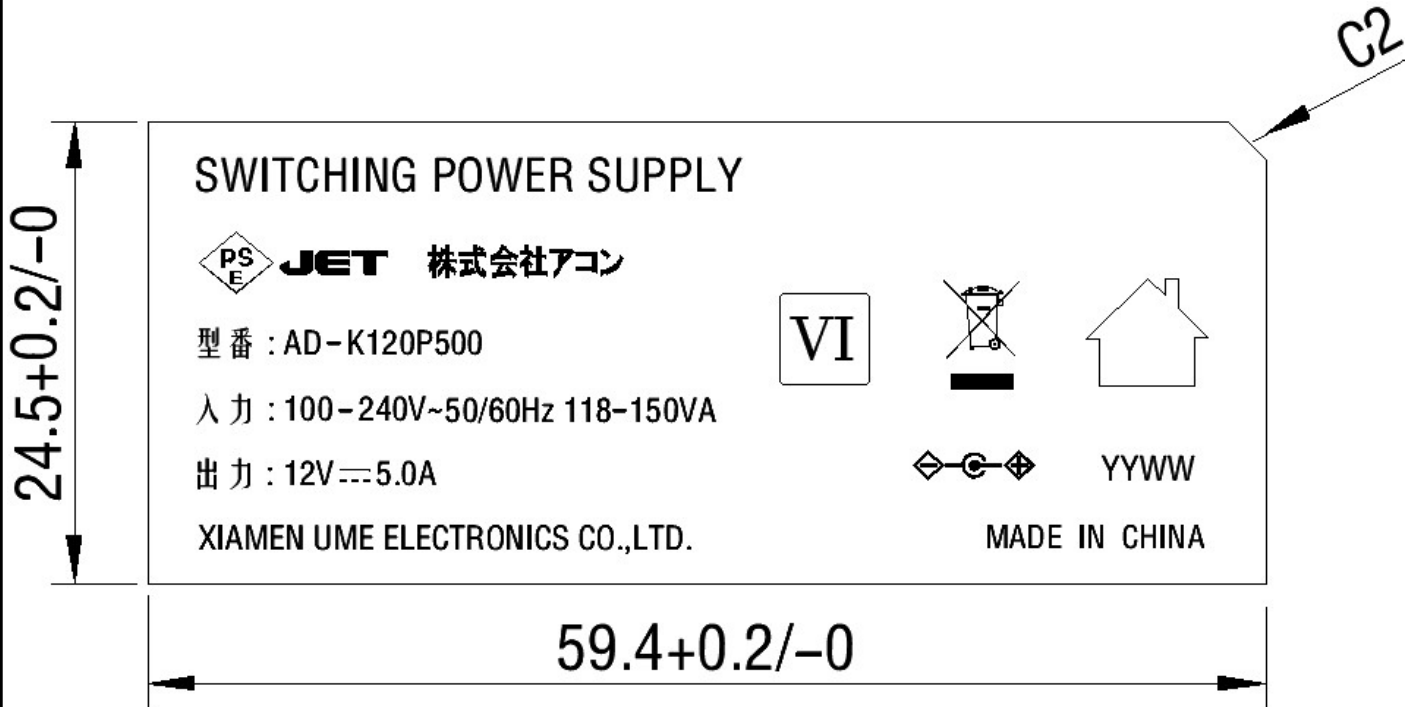
8 外观示意图 Cord and Mechanical Drawing (单位 unit: mm 颜色 color: Black)



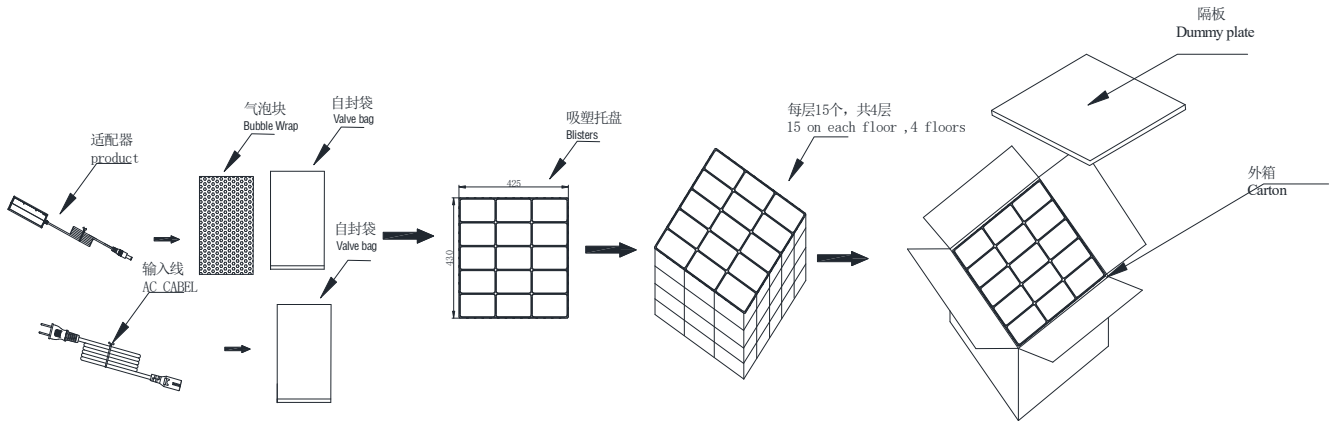
批准 Approval:	ZL	审核 Check:	ZL	制表 Execution:	BMD
--------------	----	-----------	----	---------------	-----

产品规格承认书 SPECIFICATION			文件编号 File No.	UME-EG-SP24040201/A1	
品名 Product	开关电源 SPS	型号 Model	AD-K120P500	日期 Date	2024-04-02

9 铭板标识 Label



10 包装方式 Packaging



批准 Approval:	ZL	审核 Check:	ZL	制表 Execution:	BMD
--------------	----	-----------	----	---------------	-----